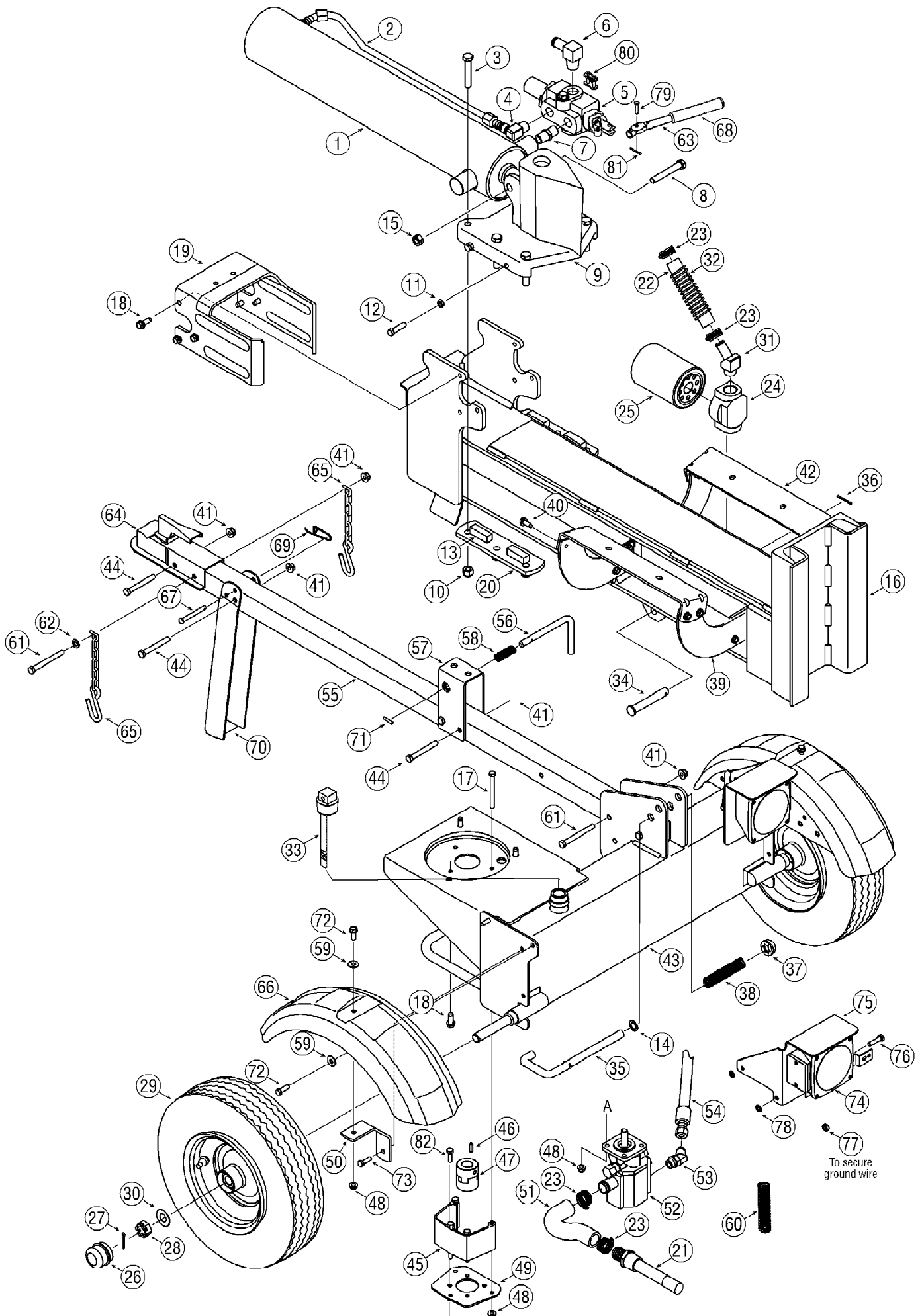


24BF570F290 27-Ton (2007)
General Assembly

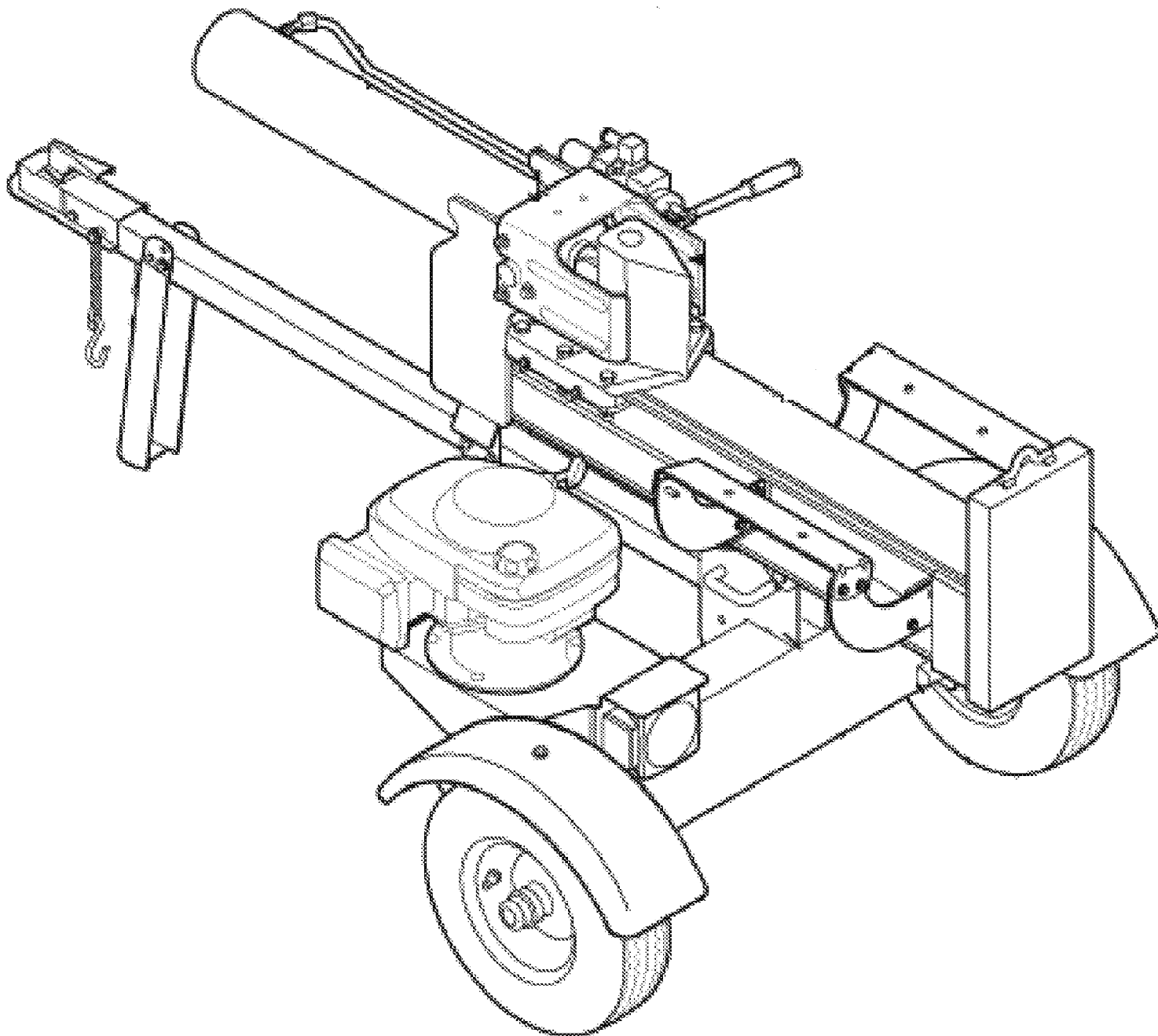


24BF570F290 27-Ton (2007)
General Assembly

Page 2 of 9

| Ref # | Part Number | Qty | S/P/F | Description |
|-------|-----------------|-----|-------|---|
| 1 | 918-0769A | 1 | /P | Hydraulic Cylinder 718-0769A |
| 1 | 953-05607 | 1 | /P | Kit Seal 4.5" for XINGHUI cylinder 718-0769A See Service Kit 753-05607 |
| 1 | 953-05608 | 1 | /P | Kit Seal 4.5" for ENERGY cylinder 718-0769A See Service Kit 753-05608 |
| 2 | 727-04166 | 1 | | Hydraulic Tube |
| 3 | 710-1018 | 1 | /P | Hex Cap Screw 1/2-20 x 2.75 |
| 4 | 737-0192 | 1 | /P | 90 Degree Solid Adapter |
| 5 | 918-0481A | 1 | /P | Control Valve |
| 6 | 737-0153 | 1 | | Return Elbow |
| 7 | 737-0238 | 1 | | Nipple Pipe 1/2-14 |
| 8 | 710-1806 | 1 | /P | Hex Cap Screw 1/2-13 x 3.25 |
| 9 | 719-0550A | 1 | /P | Wedge Assembly |
| 10 | 912-3058 | 1 | | Hex Lock Nut, 1/2-20 |
| 11 | 712-0711 | 1 | /P | Hex Jam Nut 3/8-24 |
| 12 | 710-0459A | 1 | /P | Hex Cap Screw 3/8-24 x 1.5 |
| 13 | 781-0351 | 1 | /P | Adjustable Gib |
| 14 | 936-0116 | 1 | /P | Flat Washer.635 x.93 x.06 |
| 15 | 712-3022 | 1 | /P | Hex Lock Nut 1/2-13 |
| 16 | 681-04071A-0637 | 1 | /P | Beam Assembly |
| 17 | 710-3056 | 1 | | Hex Screw, 5/16-18 x 3.25 |
| 18 | 710-0654A | 1 | /P | Hex Washer Screw 3/8-16 x 1.0 |
| 19 | 781-1048A-0637 | 1 | /P | Dislodger Bracket |
| 20 | 781-0790-0637 | 1 | /P | Back Plate |
| 21 | 737-04093 | 1 | | Inlet Filter |
| 22 | 727-0443 | 1 | | Return Hose 3/4" ID x 44" Lg. |
| 23 | 726-0132 | 1 | /P | Hose Clamp 5/8" |
| 24 | 737-0316 | 1 | /P | Filter Housing |
| 25 | 723-0405 | 1 | /P | Oil Filter |
| 26 | 734-0873 | 1 | | Hub Cap |
| 27 | 714-0162 | 1 | /P | Cotter Pin |
| 28 | 712-0359 | 1 | /P | Slotted Nut 3/4-16 |
| 29 | 634-0186 | 1 | /P | Wheel Assembly |
| 29 | 941-0987 | 1 | /P | Cone Bearing |
| 29 | 921-0168 | 1 | /P | Grease Retainer |
| 30 | 936-0351 | 1 | /P | Flat Washer.760 ID x.500 OD |
| 31 | 737-0312 | 1 | | Adapter 3/4-14 |
| 32 | 781-0526A | 1 | | Hose Guard If equipped |
| 33 | 737-0348A | 1 | /P | Vented Dipstick |
| 34 | 711-1587 | 1 | | Clevis Pin |
| 35 | 781-0690 | 1 | | Lock Rod |
| 36 | 914-0470 | 1 | /P | Cotter Pin |
| 37 | 726-0214 | 1 | /P | Push Cap |
| 38 | 732-0583 | 1 | | Compression Spring |
| 39 | 781-04180-0637 | 1 | /P | Log Tray Bracket |
| 40 | 710-0650 | 1 | /P | TT Screw, 5/16-18 x.875 |
| 41 | 712-04065 | 1 | /P | Flange Lock Nut, 3/8-16 |
| 42 | 781-04179-0637 | 1 | /P | Log Tray |
| 43 | 981-04040A | 1 | S | Frame Assembly |
| 44 | 710-0521 | 1 | /P | Hex Bolt 3/8-16 x 3" |
| 45 | 719-0353 | 1 | | Coupling Shield |
| 46 | 714-0122 | 1 | | Screw 5/16" x.75 |

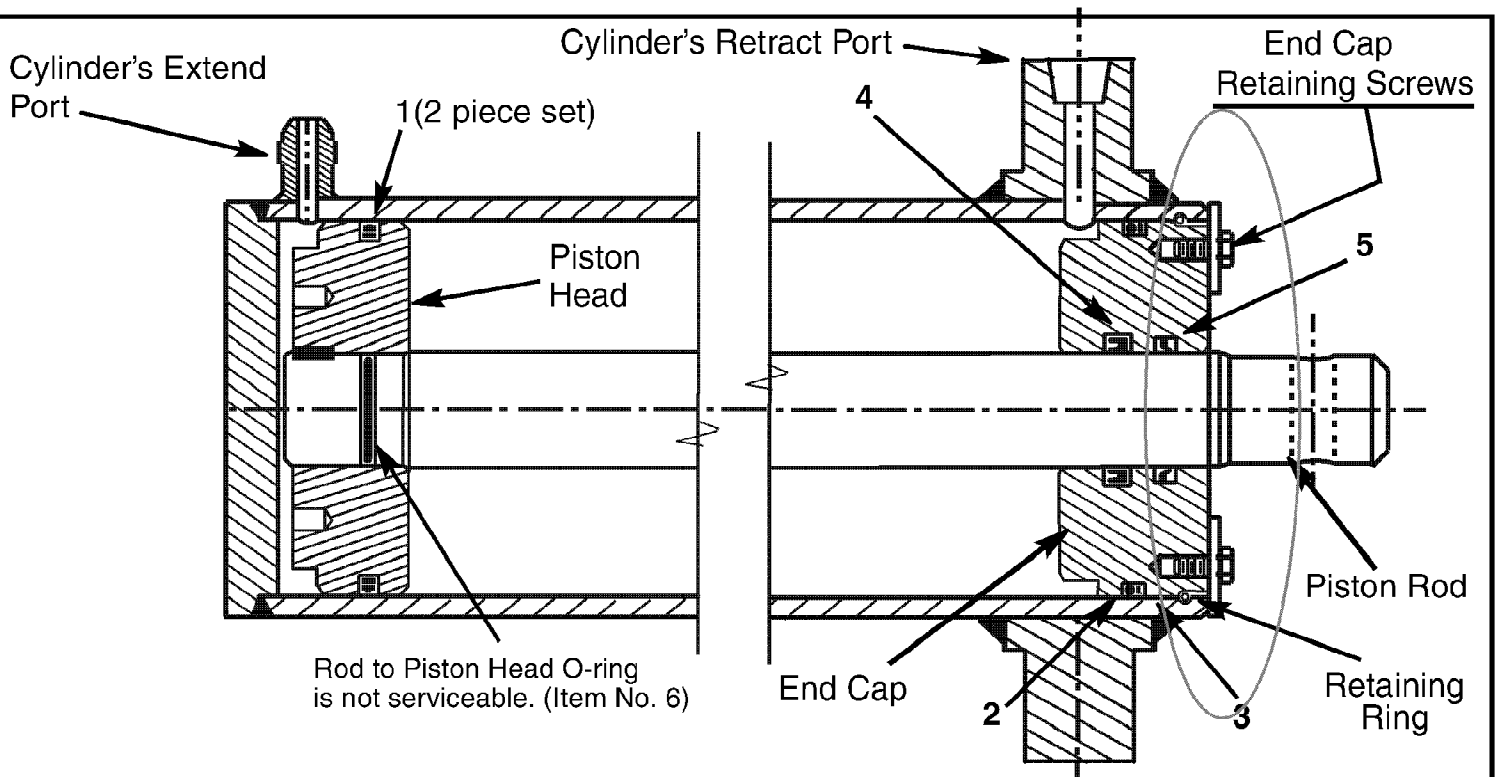
| Ref # | Part Number | Qty | S/P/F | Description |
|-------|----------------|-----|-------|------------------------------------|
| 47 | 918-04145 | 1 | /P | Flexible Coupling |
| 47 | 718-04392 | 1 | | Coupling, .5 Engine Side Not shown |
| 47 | 718-04395 | 1 | | Coupling, .875 Pump Side Not shown |
| 47 | 735-04103 | 1 | | Bushing, Spider Coupling Not shown |
| 47 | 710-1842 | 1 | | Set Screw Not shown |
| 48 | 712-04063 | 1 | /P | Flange Lock Nut, 5/16-18 |
| 49 | 781-0097-0637 | 1 | /P | Rear Coupling Support Bracket |
| 50 | 781-1024-0637 | 1 | /P | Fender Mounting Bracket |
| 51 | 727-04130 | 1 | /P | Hose |
| 52 | 918-04127 | 1 | /P | Gear Pump |
| 53 | 737-0329 | 1 | | 45 Degree Elbow Fitting |
| 54 | 727-0502 | 1 | | High Pressure Hydraulic Hose |
| 55 | 781-0788-0650 | 1 | | Tongue Assembly |
| 56 | 747-1261 | 1 | | Latch Rod |
| 57 | 781-1045-0650 | 1 | | Latch |
| 58 | 932-3127 | 1 | /P | Compression Spring |
| 59 | 736-0371 | 1 | /P | Flat Washer |
| 60 | 781-0538A | 1 | /P | Hose Guard If equipped |
| 61 | 710-3085 | 1 | /P | Hex Cap Screw, 3/8-16 x 3.50 |
| 62 | 936-0185 | 1 | /P | Flat Washer, .375 x.738 x.063 |
| 63 | 747-04539 | 1 | | Hydraulic Valve Control |
| 64 | 681-04030 | 1 | | Hitch Coupling Assembly |
| 65 | 713-0433A | 1 | /P | Chain |
| 66 | 731-2496A | 1 | | Fender (Black) |
| 66 | 731-2499A | 1 | /P | Fender (Red) |
| 67 | 911-0813 | 1 | /P | Clevis Pin |
| 68 | 720-04088 | 1 | /P | Grip |
| 69 | 732-0194 | 1 | | Spring Pin |
| 70 | 781-0789-0650 | 1 | | Jack Stand |
| 71 | 915-0120 | 1 | /P | Spiral Pin |
| 72 | 710-0650 | 1 | /P | TT Screw, 5/16-18 x 0.875" |
| 73 | 710-0602 | 1 | /P | TT Screw, 5/16-18 x 1.00 |
| 74 | 625-0062 | 1 | | Light Kit If equipped |
| 74 | 725-2058 | 1 | | Tail Light - RH Not Shown |
| 74 | 725-2059 | 1 | | Tail Light - LH Not Shown |
| 74 | 725-2060 | 1 | | Harness - Wire Not Shown |
| 75 | 681-0164-0637 | 1 | /P | Light Bracket - LH If equipped |
| 75 | 781-1027A-0637 | 1 | /P | Light Bracket - RH If equipped |
| 76 | 710-0874 | 1 | /P | Screw, 5/16-18 x 1.25 If equipped |
| 77 | 912-3008 | 1 | /P | Jam Nut, 3/8-16 If equipped |
| 78 | 726-0201 | 1 | | Speed Nut, .3125 ID If equipped |
| 79 | 711-04585 | 1 | | Clevis Pin |
| 80 | 913-04036 | 1 | /P | Valve Handle Link |
| 81 | 914-0111 | 1 | /P | Cotter Pin |
| 82 | 710-0376 | 1 | /P | Hex Screw, 5/16-18 x 1.00 |



24BF570F290 27-Ton (2007)
Quick Reference 570F

Page 5 of 9

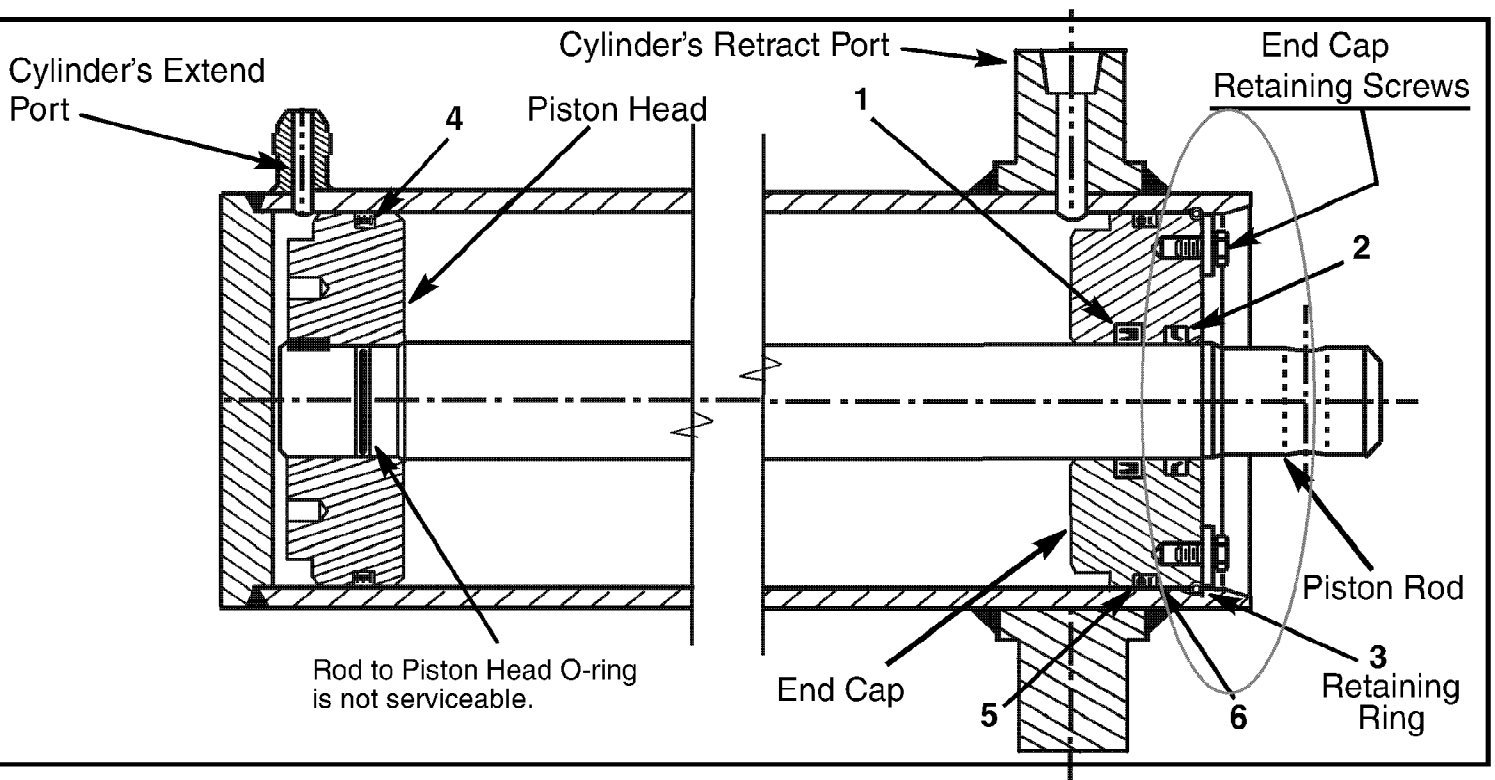
| Ref # | Part Number | Qty | S/P/F | Description |
|-------|-------------|-----|-------|-------------------------|
| | 759-3338 | 1 | /P | Spark Plug |
| | NA | 1 | | Pre Filter |
| | BS-491588S | 1 | /P | Air Filter |
| | BS-298090S | 1 | /P | Fuel Filter |
| | 723-0405 | 1 | /P | Hydraulic Filter |
| | 737-04093 | 1 | | Inlet Filter |
| | 737-0348A | 1 | /P | Vented Dipstick |
| | 918-04145 | 1 | /P | Flexible Coupling |
| | 781-0351 | 1 | /P | Adjustable Gibbs |
| | NA | 1 | | Belt |
| | 747-04539 | 1 | | Hydraulic Valve Control |
| | 720-04088 | 1 | /P | Grip |
| | 913-04036 | 1 | /P | Valve Handle Link |
| | 713-0433A | 1 | /P | Chain |
| | 734-0873 | 1 | | Hub Cap |
| | 634-0186 | 1 | /P | Wheel Assembly |



24BF570F290 27-Ton (2007)
Service Kit 753-05607

Page 7 of 9

| Ref # | Part Number | Qty | S/P/F | Description |
|-------|-------------|-----|-------|---|
| 1 | N/A | 1 | | Piston Seal: 2 piece set (White outer ring w/ black flat under ring) Not Available Separately |
| 2 | N/A | 1 | | O-ring (Large, Black) Not Available Separately |
| 3 | N/A | 1 | | Backup Ring (Black) Not Available Separately |
| 4 | N/A | 1 | | Rod-Guide U-Cup (Dark Blue) Not Available Separately |
| 5 | N/A | 1 | | Scraper: Rod (Black) Not Available Separately |
| 6 | N/A | 1 | | O-ring (Small, Black) NOT USED Not Available Separately |
| 7 | N/A | 1 | | INSTRUCTION SHEET Not Available Separately |



| Ref # | Part Number | Qty | S/P/F | Description |
|-------|-------------|-----|-------|--|
| 1 | N/A | 1 | | Zurcon U-Cup RU3 (Blue) Not Available Separately |
| 2 | N/A | 1 | | Scraper DA17 (Black) Not Available Separately |
| 3 | N/A | 1 | | Retaining-Ring (Metal) Not Available Separately |
| 4 | N/A | 1 | | Zurcon Wynseal (Blue) Not Available Separately |
| 5 | N/A | 1 | | O-Ring (Black) Not Available Separately |
| 6 | N/A | 1 | | Back-up Ring (White) Not Available Separately |
| 7 | N/A | 1 | | INSTRUCTION SHEET Not Available Separately |